

AR

hot air generator for liquid/gaseous fuel



Thermostahl AR hot air generators can be used for heating any closed space like greenhouses, workhouses, industrial buildings, storehouses etc.

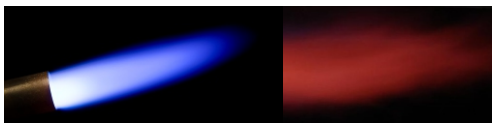
The hot air generator has a special 3-pass design, with robust, welded construction of the air chamber. This unique construction offers a constant debit of hot air with maximum efficiency, assuring fast heating and energy savings. All surfaces which come in contact with fire are made for special refractory steel.

The hot air generators are equipped with a control panel with aerostat for regulation of the air outlet temperature, and centrifugal ventilator.

The generators can work on oil, natural gas and LPG, by installing an appropriate burner.

The generator can be constructed with any type of plenum so that it fits all installing applications.

Fuel



gas /liquid

AISI 304 Refractory steel heat exchanger



High static pressure



Low noise operation



Safety thermostat

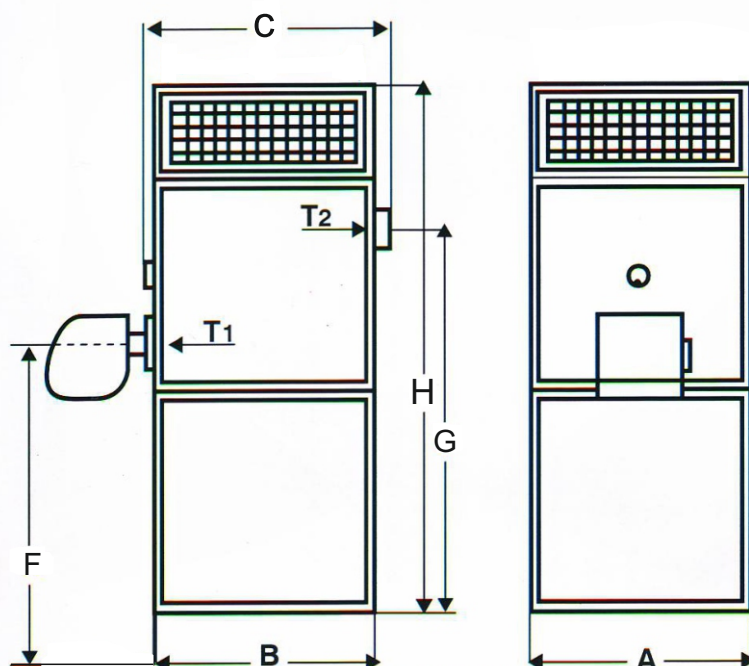
Main features

- Stainless steel combustion chamber with aerodynamic shape
- High temperature resistant heat exchanger
- Cabinet is made by galvanized sheet
- Possibility of interface with thermostat or humidistat or timer
- Overheating thermostat
- Fan thermostat
- Electric board
- Power cord
- Very small space is needed to be installed
- The air is always clean, since the exhaust gases are extracted through the chimney

TECHNICAL DATA

Type	Nominal power		Temp. max.	Hot air supply	Static pressure	ΔT	Noise level	Power consumption	Electric supply	Weight
	kcal/h	kW	°C	m ³ /h	Pa	K	dB	kW	V/Hz	kg
AR 40	40.000	47	120	2.700	200	42	81,5	0,43	230/50	410
AR 80	80.000	93	120	4.500	200	42	85,0	0,65	230/50	480
AR 120	120.000	140	120	8.000	200	42	88,5	1,30	400/50	560
AR 150	150.000	174	120	11.900	300	42	90,0	2,20	400/50	650
AR 190	190.000	220	120	11.900	300	42	90,0	2,20	400/50	860

DIMENSIONS



Type	A	B	C	F	G	H	T2	T1
	mm							
AR 40	650	800	900	850	1350	1850	Ø125	114
AR 80	700	1150	1300	1050	1650	2250	Ø150	133
AR 120	850	1350	1550	1200	1800	2450	Ø200	159
AR 150	850	1600	1800	1200	1800	2450	Ø200	159
AR 190	1100	1450	1650	1450	2050	2800	Ø200	168